

0.00 (Curbside level)

General Notes




  
 unite for children


  
 Australian Government

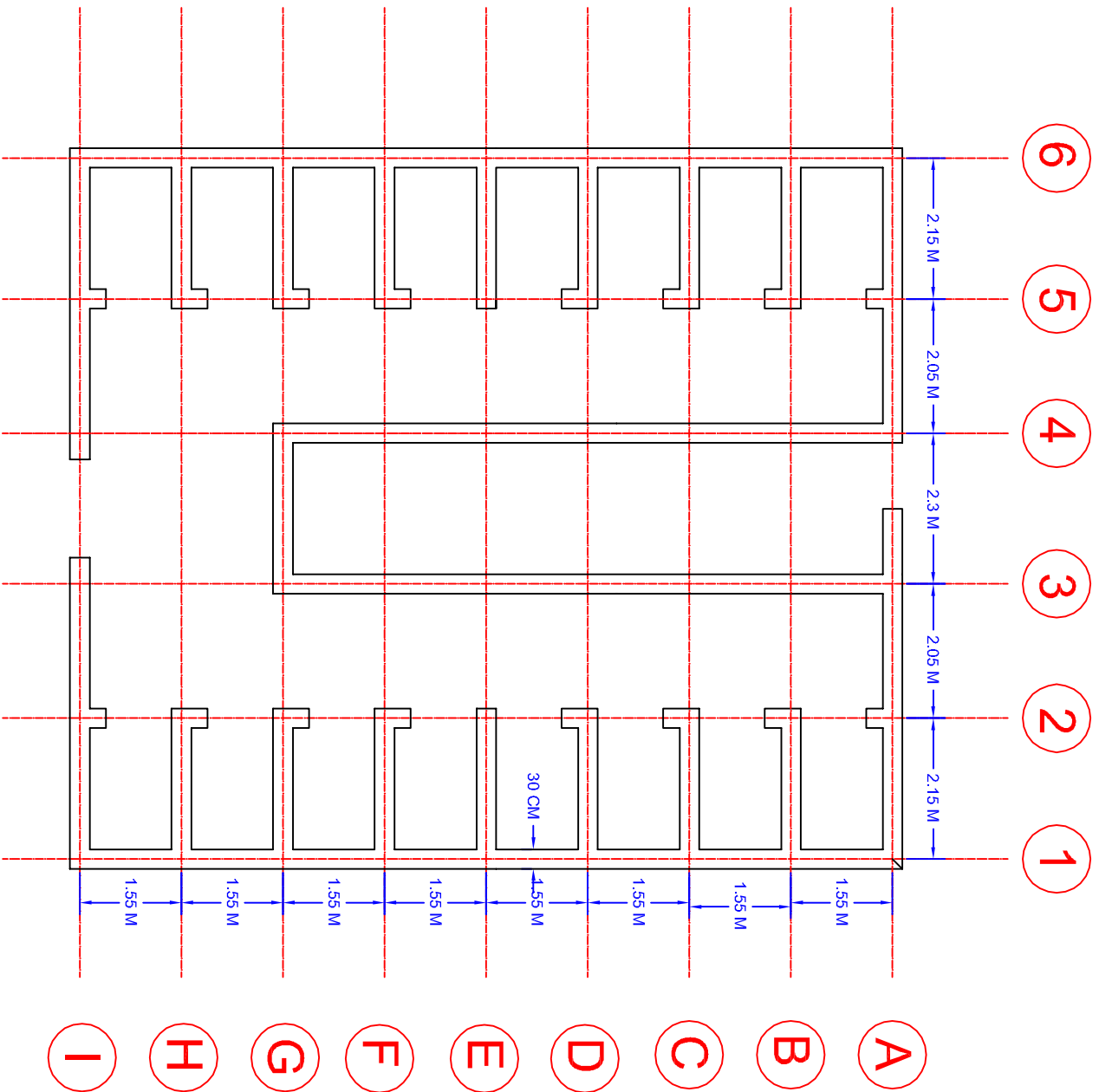

  
 AusAID



Project Name and Address  
 REVIEW AND DEVELOPMENT OF CHILD FRIENDLY WATER, SANITATION AND HYGIENE FACILITIES DESIGN PACKAGES FOR PRIMARY SCHOOLS IN IRAQ.

**WASH Design for URBAN Single Schools - Type A**

Project	Sheet
Date	Sheet No. 1
Scale	Floor Plan
1:100/A3 Sheet	



General Notes



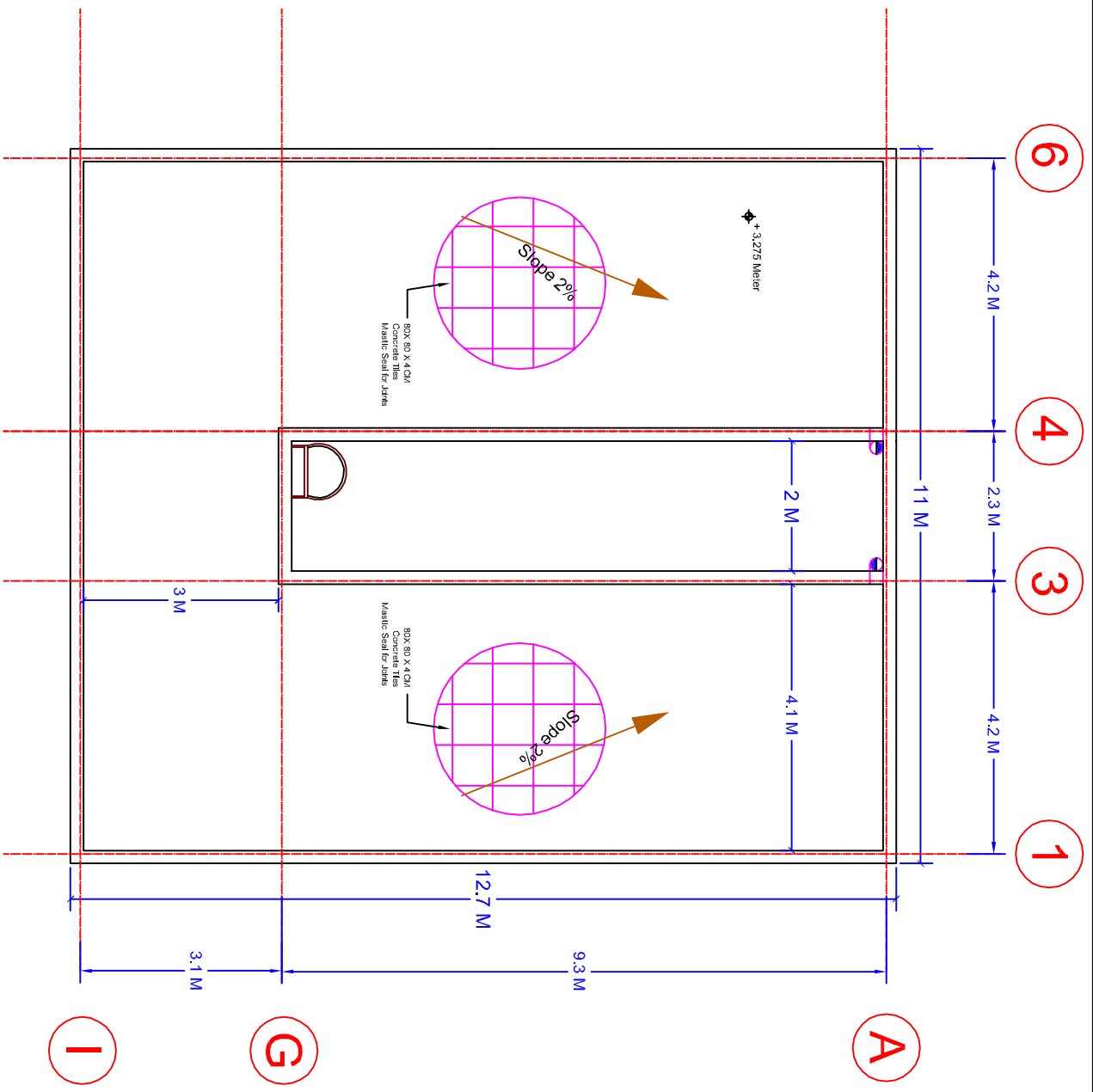

  
 unite for children


  
 Australian Government


  
**National Company**

Project Name and Address:  
 REVIEW AND DEVELOPMENT OF CHILD FRIENDLY WATER, SANITATION AND HYGIENE FACILITIES DESIGN PACKAGES FOR PRIMARY SCHOOLS IN IRAQ.  
 WASH Design for URBAN Single Schools -Type A

Project	Sheet
1:100/A4 Sheet	Sheet No. 2
C/L Plan	



General Notes



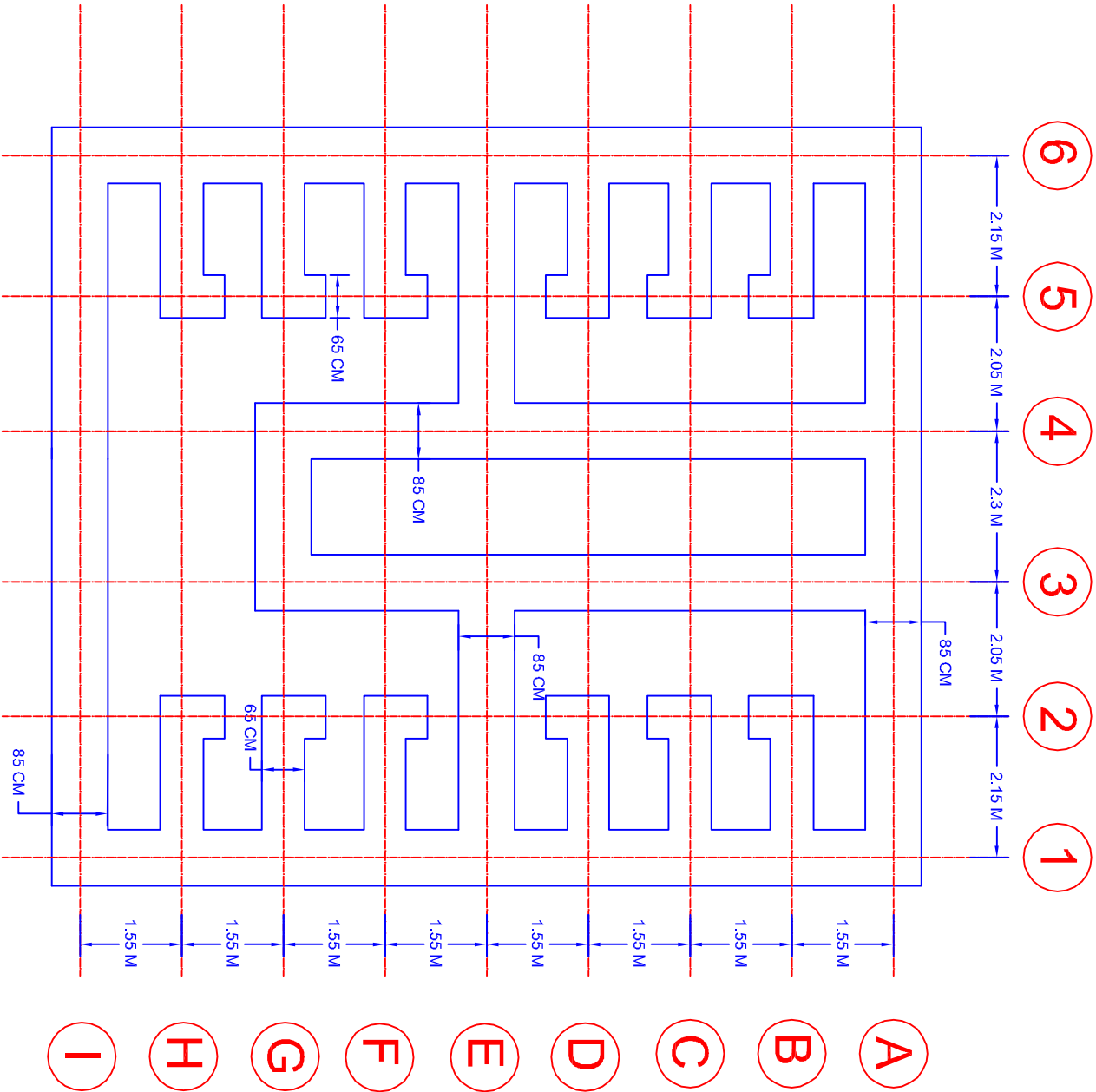
unicef  
unite for children

Australian Government  
Department of Education  
or  
ARMAID

Company  
National  
Your Name and Address

REVIEW AND DEVELOPMENT OF  
CHILD FRIENDLY WATER, SANITATION  
AND HYGIENE FACILITIES DESIGN  
PACKAGES FOR PRIMARY SCHOOLS  
IN RUGBY.  
WASH Design for Urban Single  
Schools - Type A

Project	Sheet
1:100/A4 Sheet	Sheet No. 3
	Roof Plan



General Notes

- 1- All External Walls' foundations have width of 85 CM Unless It stated otherwise.
- 2- All Internal Walls' foundations have width of 65 CM. Unless It stated otherwise.
- 3- Assumed Soil Bearing Capacity is 22 KN/M2



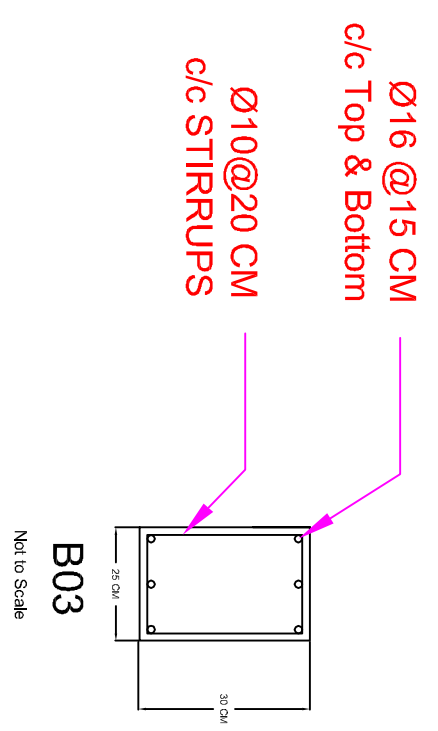
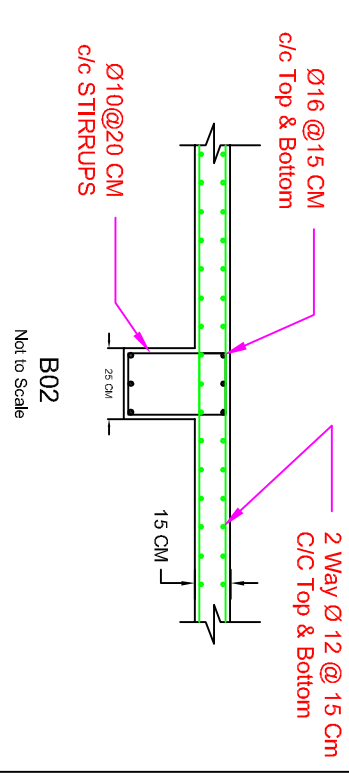
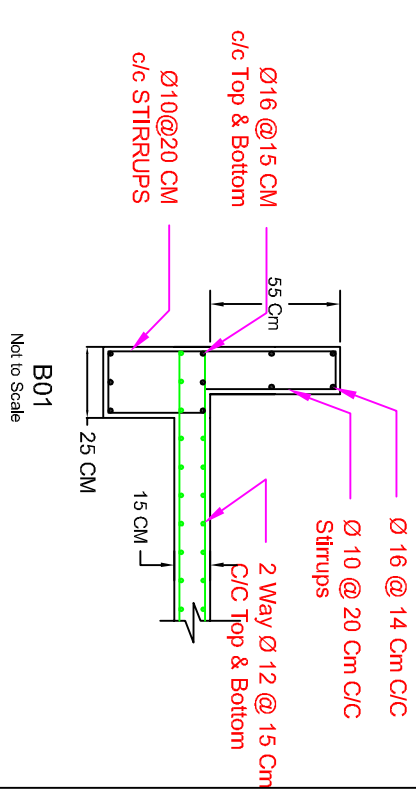
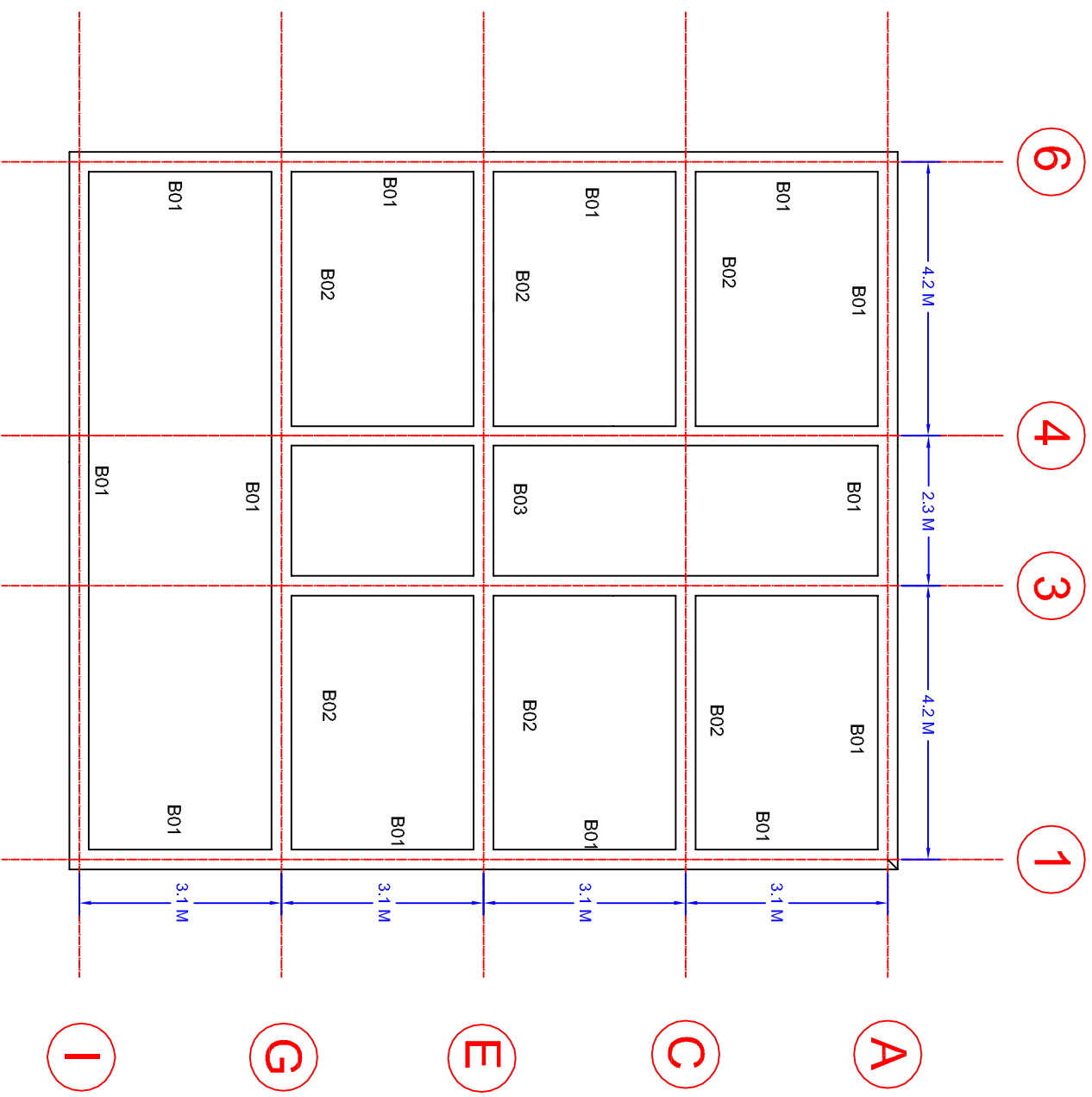
unite for children
   
 Australian Government
   
 AUSTRALIAN AID

**National Company**
  
 For Engineering, Construction & Quality Control Ltd.
   
 Registered Office: 10/100/AA Street, Heliopolis, Cairo, Egypt.
   
 Phone, Name and Address:
   
 REVIEW AND DEVELOPMENT OF CHILD FRIENDLY WATER, SANITATION AND HYGIENE FACILITIES DESIGN PACKAGES FOR PRIMARY SCHOOLS IN CAIRO
   
 Wash Design for Urban Single Schools - Type A

Project	Sheet
1:100/AA Street	Foundation
Plan	

A B C D E F G H I

1 2 3 4 5 6



General Notes



unicef  
 Australian Government  
 AusAID

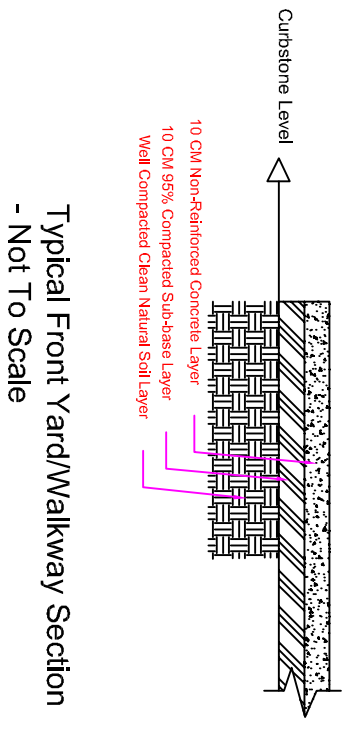
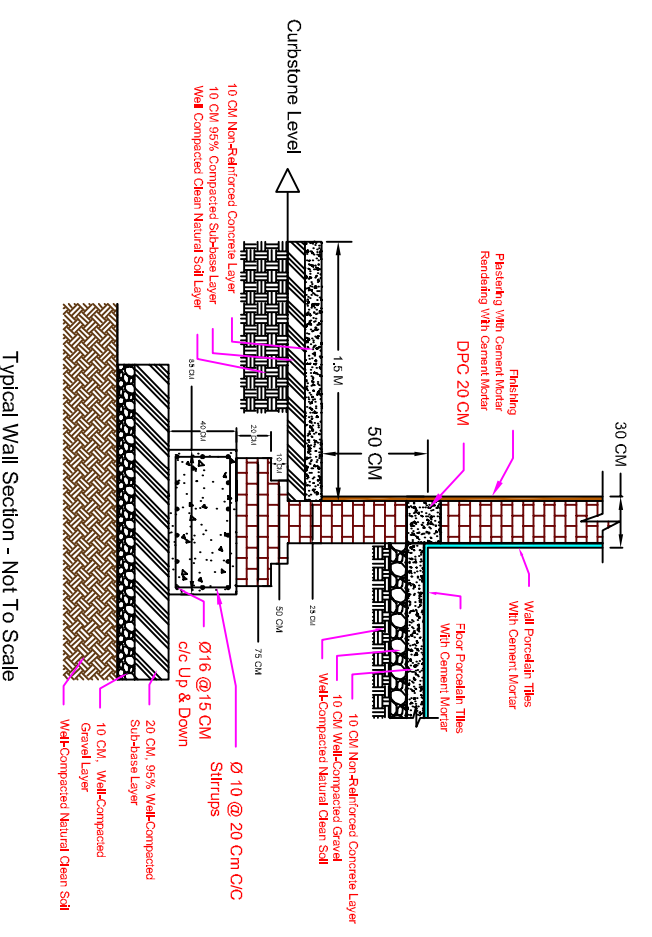
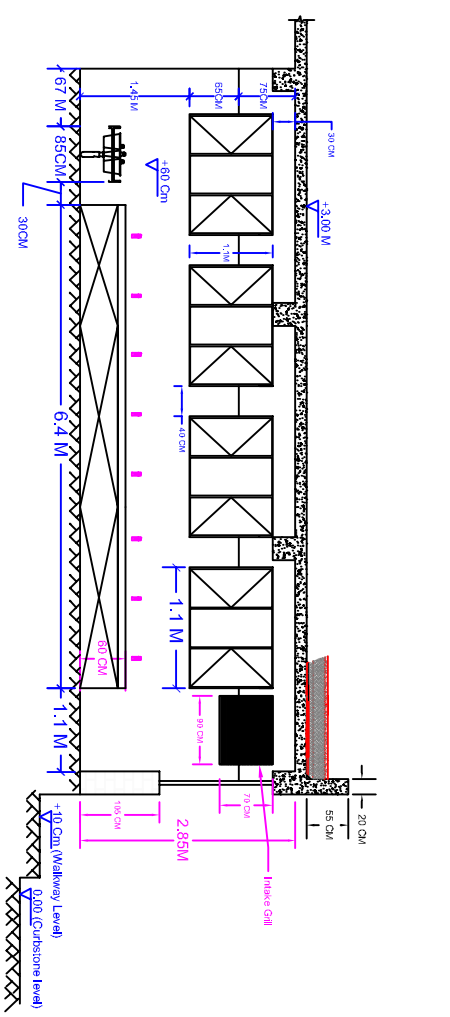
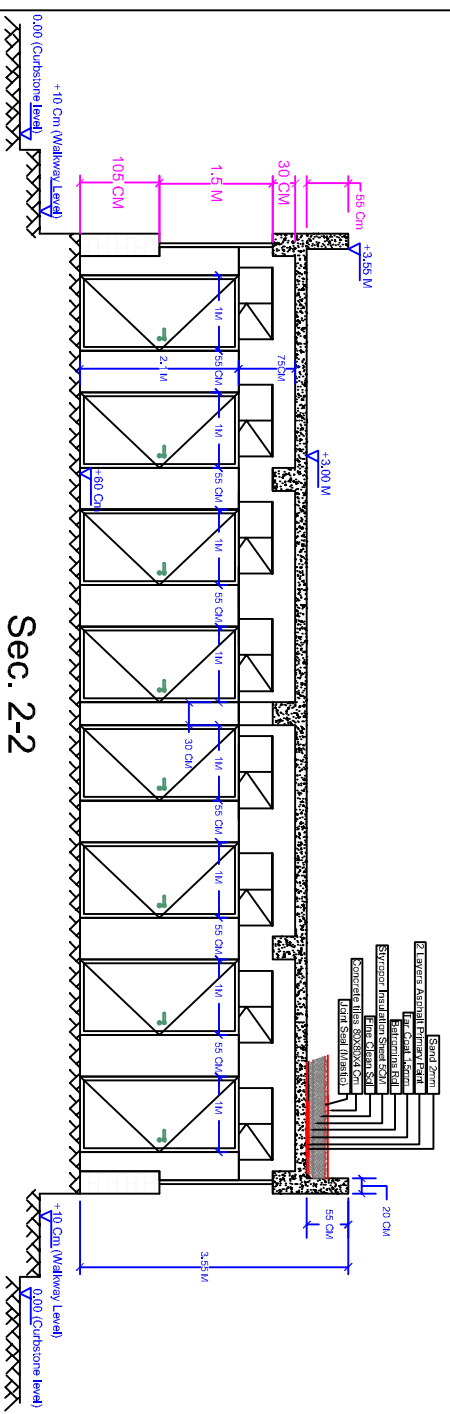
**National Company**  
 For Engineering, Consultancy & Quality Control  
 National Road, Al-Furat Al-Ahsa, Baghdad, Iraq

Project Name and Address  
 REVIEW AND DEVELOPMENT OF CHILD FRIENDLY WATER, SANITATION AND HYGIENE FACILITIES DESIGN PACKAGES FOR PRIMARY SCHOOLS IN IRAQ.  
 WASH Design for URBAN Single Schools - Type A

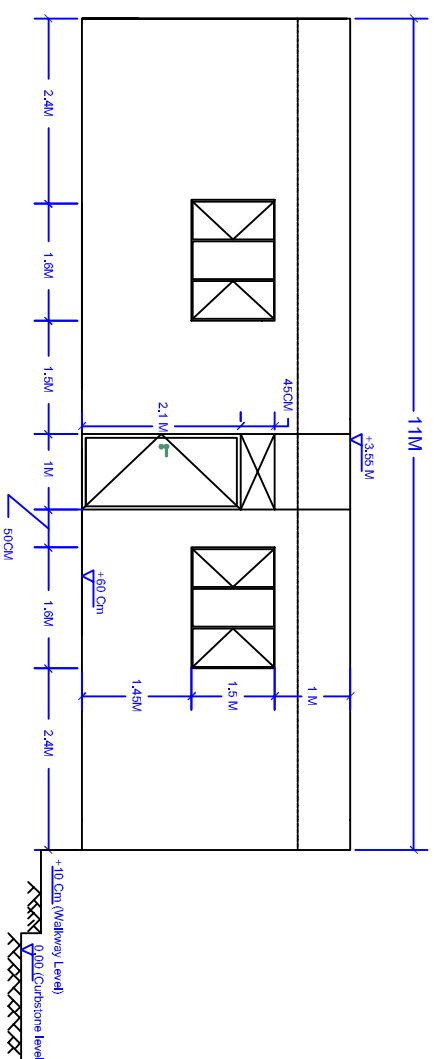
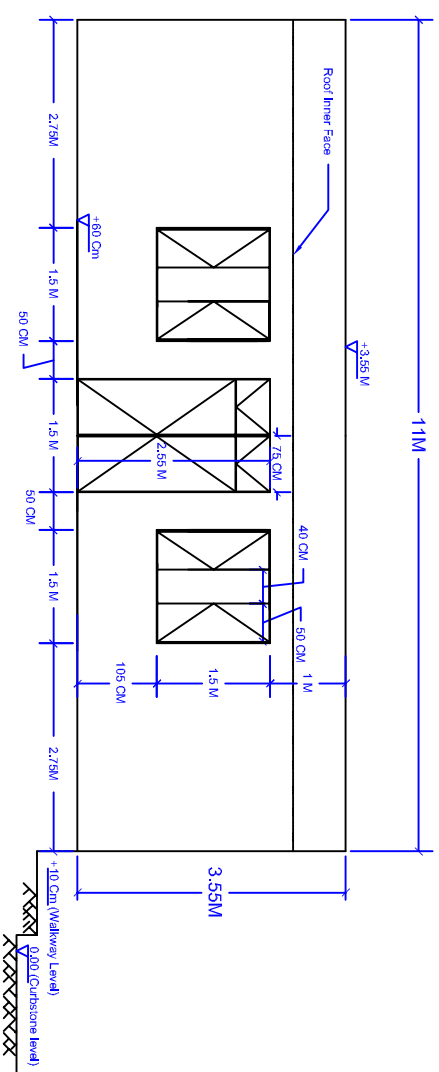
Project	Sheet
Date	Sheet No. 5
Scale	Beam Reinforcement
1:100/A3 Sheet	Detail

**General Notes**

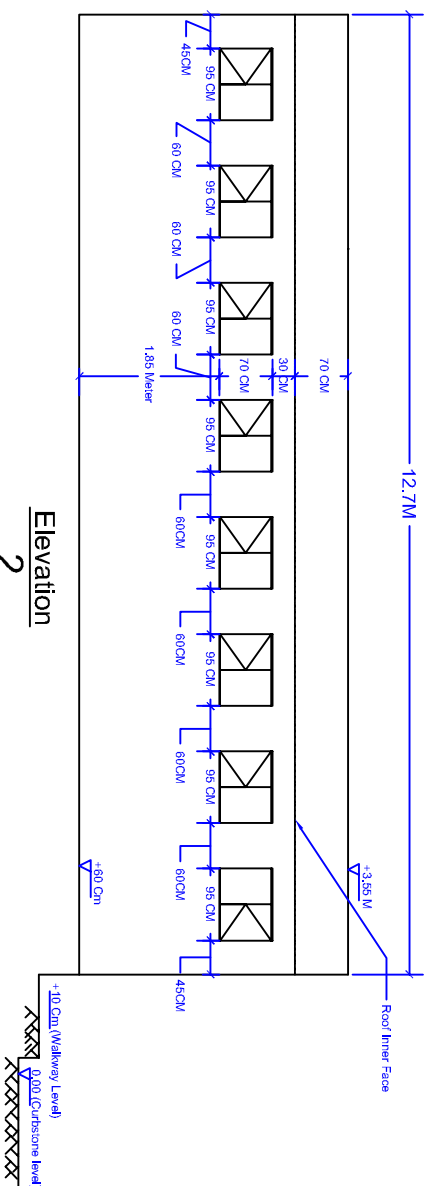
Note:- 0.00 Level is the same level of the street's curbstone level.



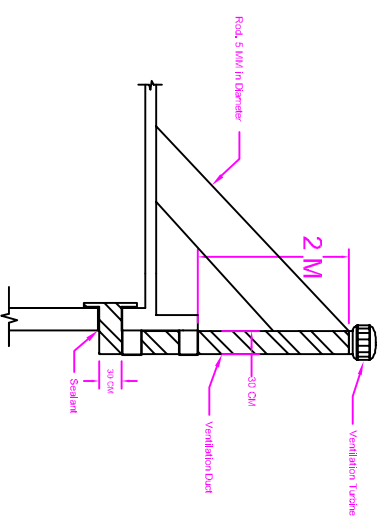
 		 			
<p>Project Name and Address  <b>REVIEW AND DEVELOPMENT OF CHILD FRIENDLY WATER, SANITATION AND HYGIENE FACILITIES DESIGN PACKAGES FOR PRIMARY SCHOOLS IN IRAQ.</b></p> <p>WASH Design for URBAN Single Schools - Type A</p>					
Project	Sheet	<p>Sheet No. 6</p>			
Date	Scale	<p>Sec. 1-1</p>			
Scale	Sheet	<p>1:100/A3 Sheet 2-2</p>			



Elevation 2

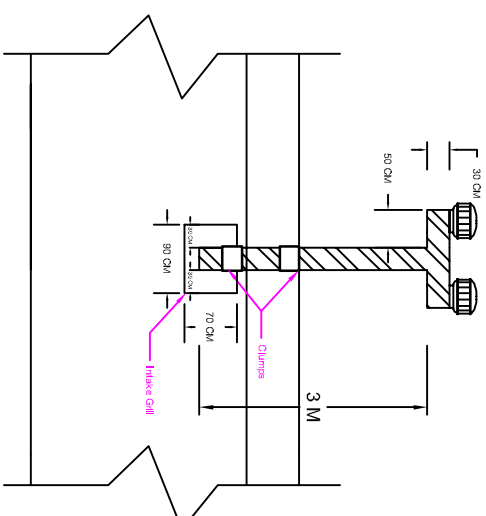


Elevation 2



Typical Detail of Ventilation Duct & the Ventilation Turbine

NOT TO SCALE



General Notes



unicef

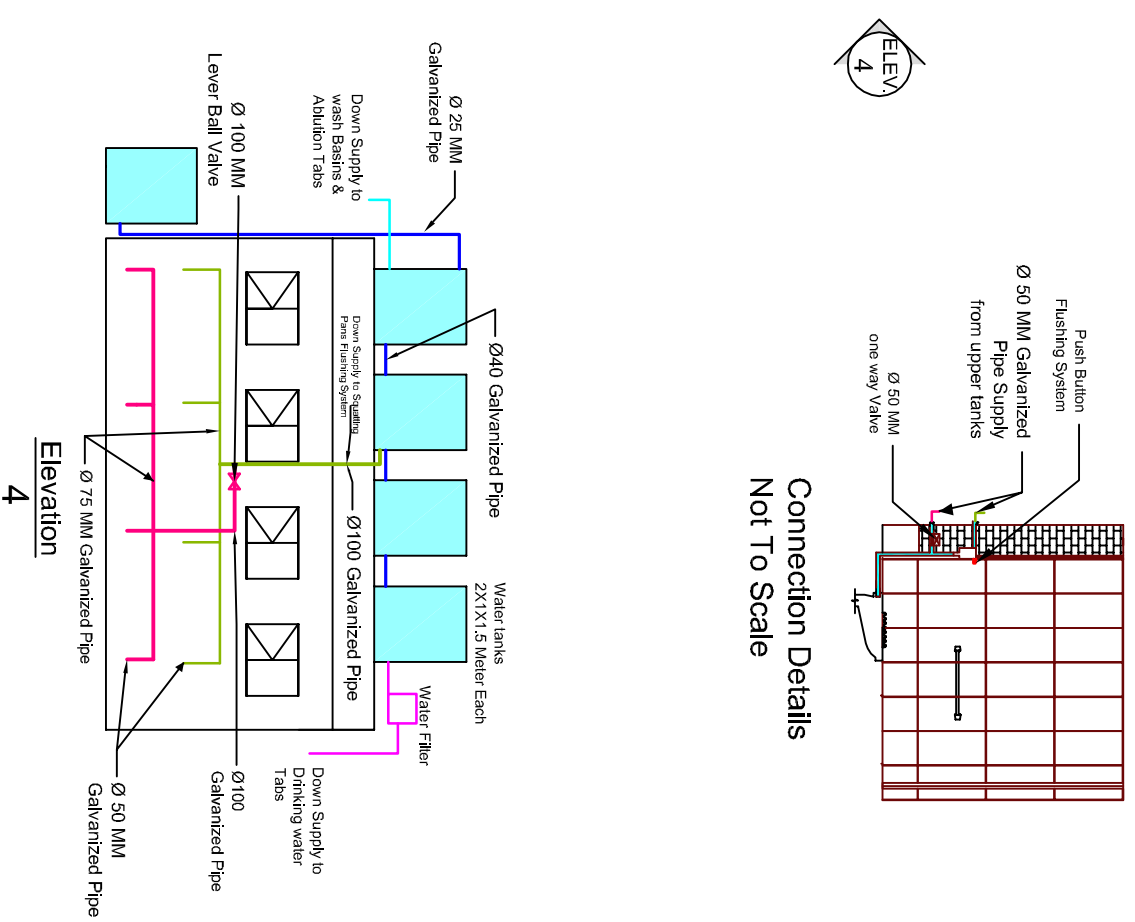
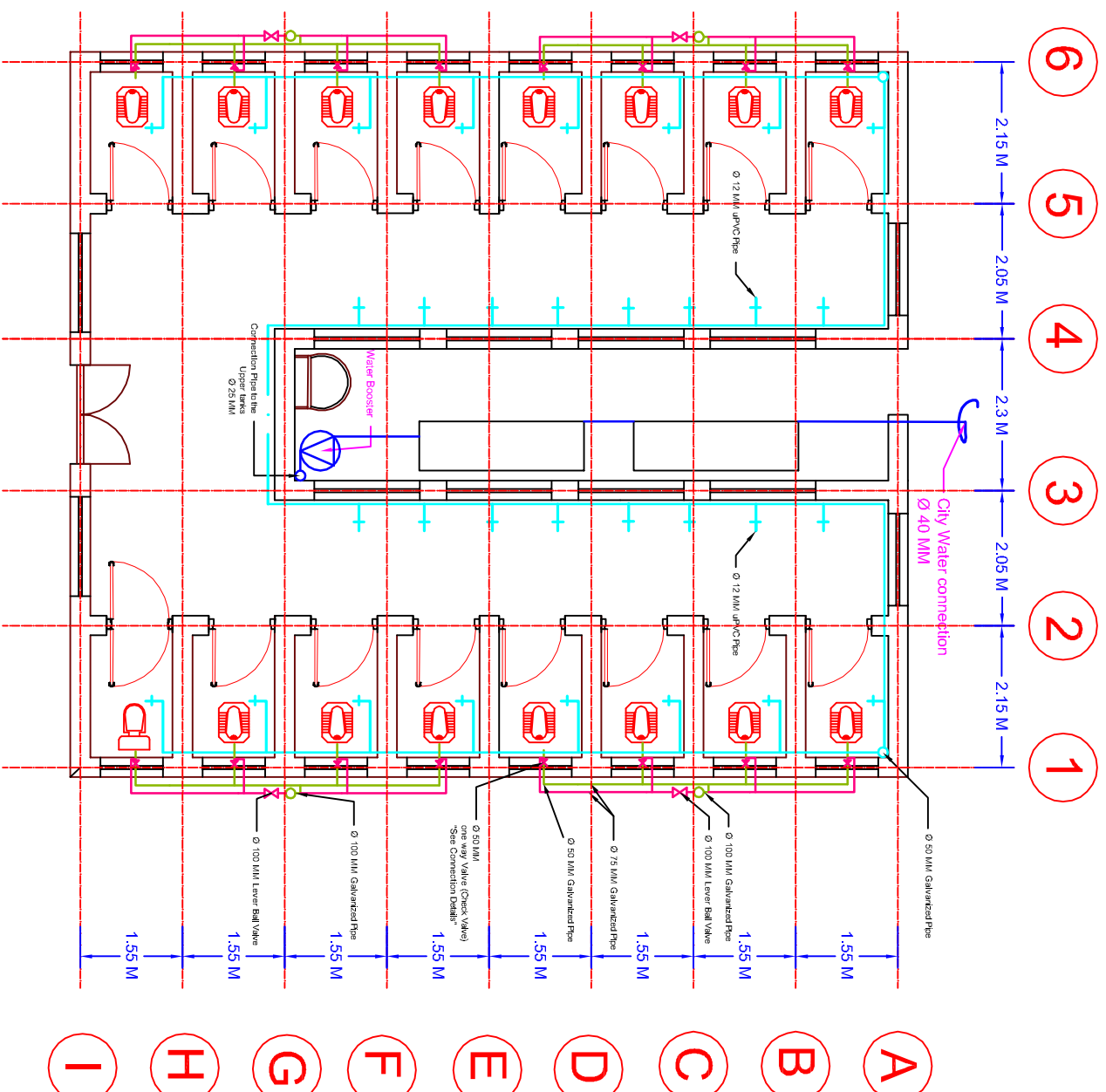
unite for children

Australian Government  
AusAID



Project Name and Address  
REVIEW AND DEVELOPMENT OF CHILD FRIENDLY WATER, SANITATION AND HYGIENE FACILITIES DESIGN PACKAGES FOR PRIMARY SCHOOLS IN IRAQ.  
WASH Design for Urban Mixed Schools -Type A

Project: Sheet No. 8  
Date: ELEV.1, 2, 3  
Scale: 1:100/A3 Sheet



ELEV. 4

Connection Details  
Not To Scale

**General Notes**

— This Color Is used here for Piping from the Ground water tanks to the Upper water tanks

— This Color Is used here for Internal Piping for the Wash Basin & Toilet Ablution Tabs. It's Connected to the Upper tanks by a 2" Pipe.

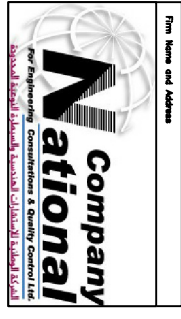
— This Color Is used here for Piping of the Drinking water Tabs located outside the building. It's connected to the upper Tanks by 2" Pipe. It's also connected to the Water Filter located just beside the Water tank.

— This Color Is used here for Piping of the Squatting Pans. It's connected to the upper Tanks by a 3" Pipe & connected to each of the Squatting pans Flushing Mechanism by 1" Pipe.

— This Color Is used here for Piping of the Manual By pass Flushing system. It's connected to the upper tanks by a 4" Pipe & then connected to Lever Ball Valve then to each of the squatting pans. please refer to the drawings



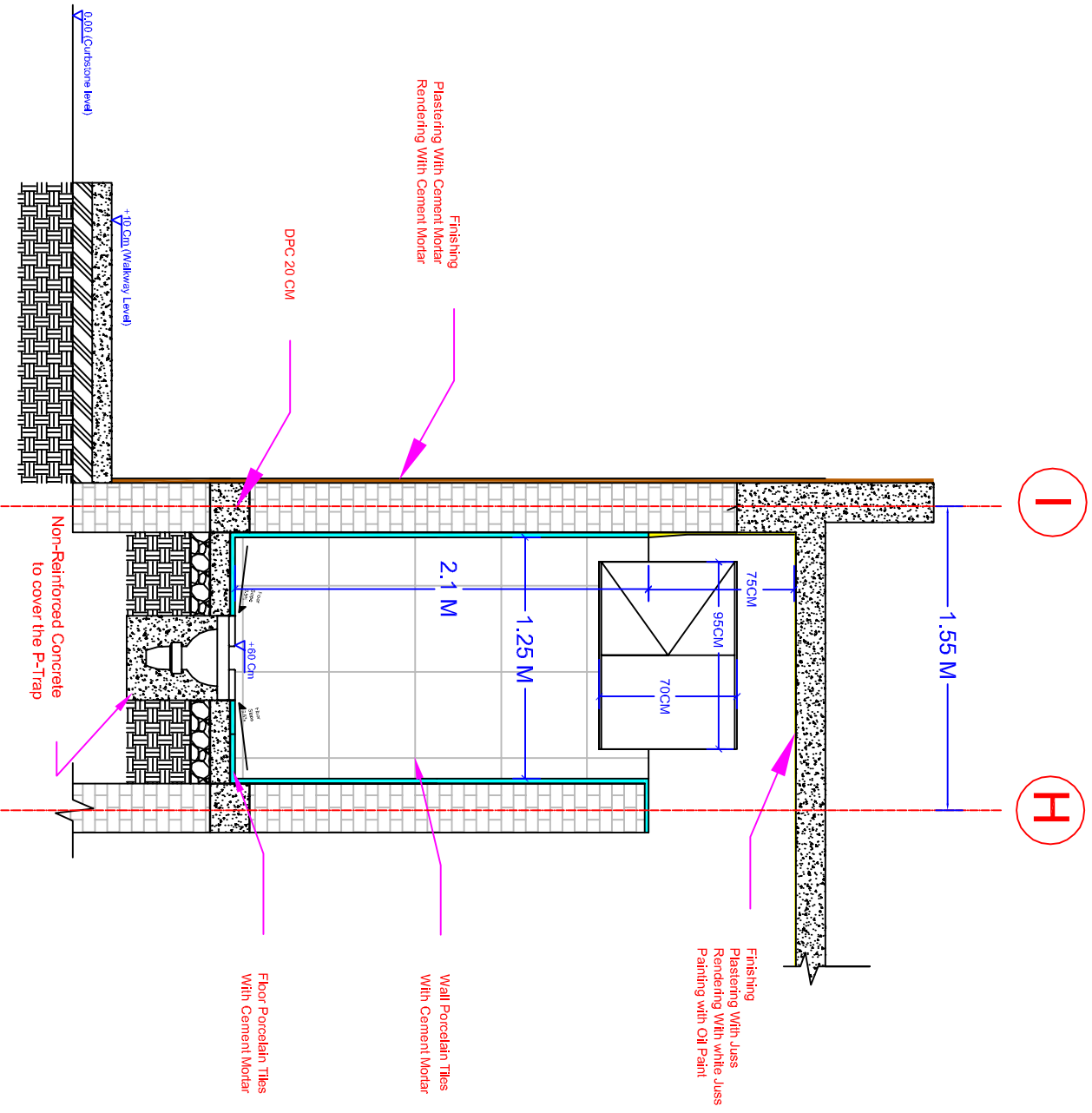
unicef  
unite for children  
Australian Government  
AusAID



Project Name and Address  
REVIEW AND DEVELOPMENT OF CHILD FRIENDLY WATER SANITATION AND HYGIENE FACILITIES DESIGN PACKAGES FOR PRIMARY SCHOOLS IN IRAQ.  
WASH Design for Urban Mixed Schools -Type A

Project	Sheet
Date	Sheet No. 9
Scale	Water Distribution Plan. (Pumpng)
1:100/A3 Sheet	





I

H

General Notes



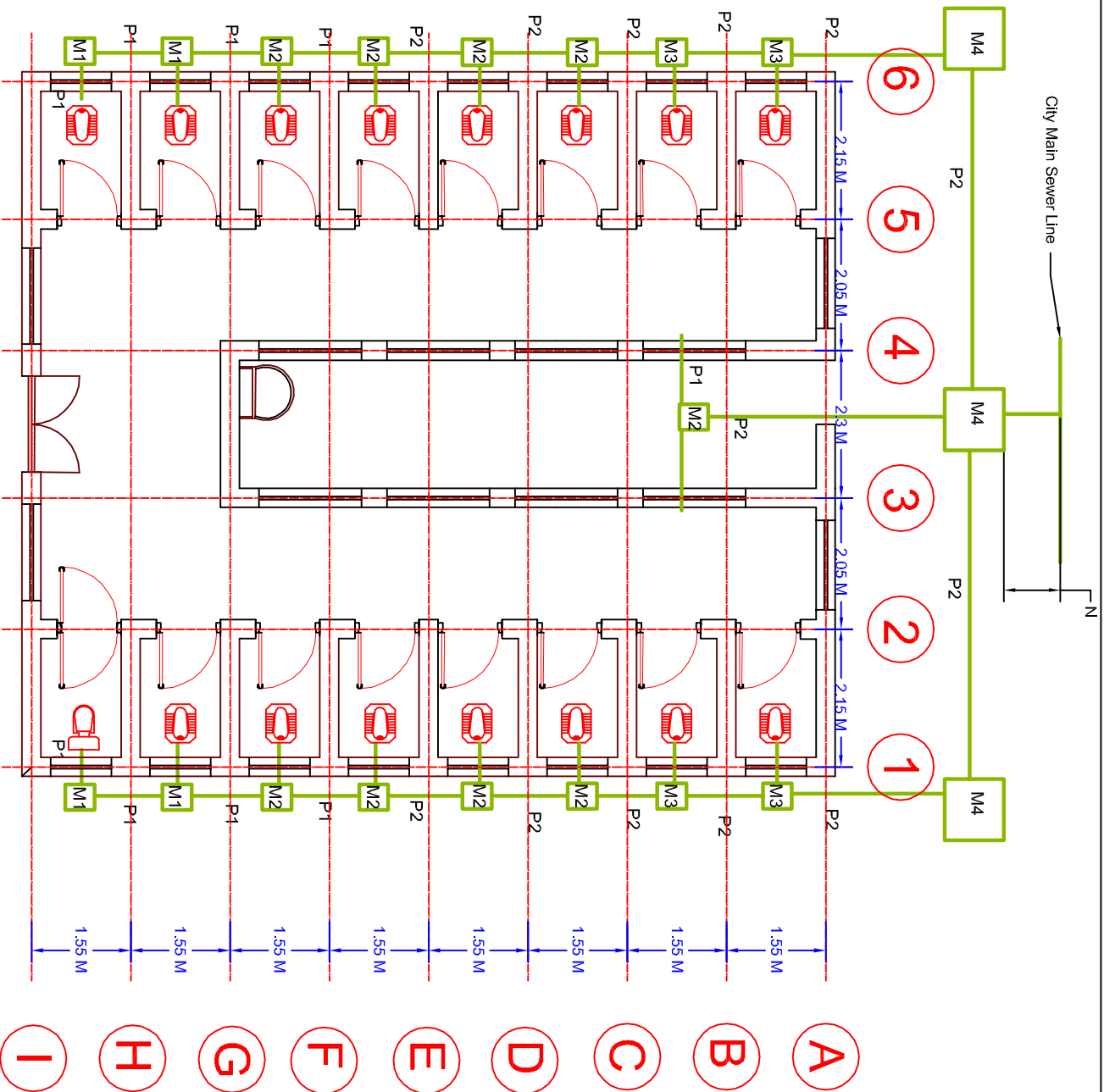
unicef  
unite for children

Australian Government  
ANZ AID

Company  
National

DESIGN AND DEVELOPMENT OF  
CHILD FRIENDLY WATER SANITATION  
AND HYGIENE FACILITIES DESIGN  
PACKAGES FOR PRIMARY SCHOOLS  
IN RUA.  
WASH Design for URBAN Single  
Schools -Type A

Project: Sheet: No. 7  
Title: Typical Cutback Section  
Not to Scale



**General Notes**

Value N:-

The N Value is to be Determined on Site

- P1: 4 Inch PVC Pipe
- P2: 6 Inch PVC Pipe
- M1: 50X50 Cm Manhole
- M2: 70X70 Cm Manhole
- M3: 80X80 Cm Manhole
- M4: 100X100Cm Manhole



**unicef**  
unite for children

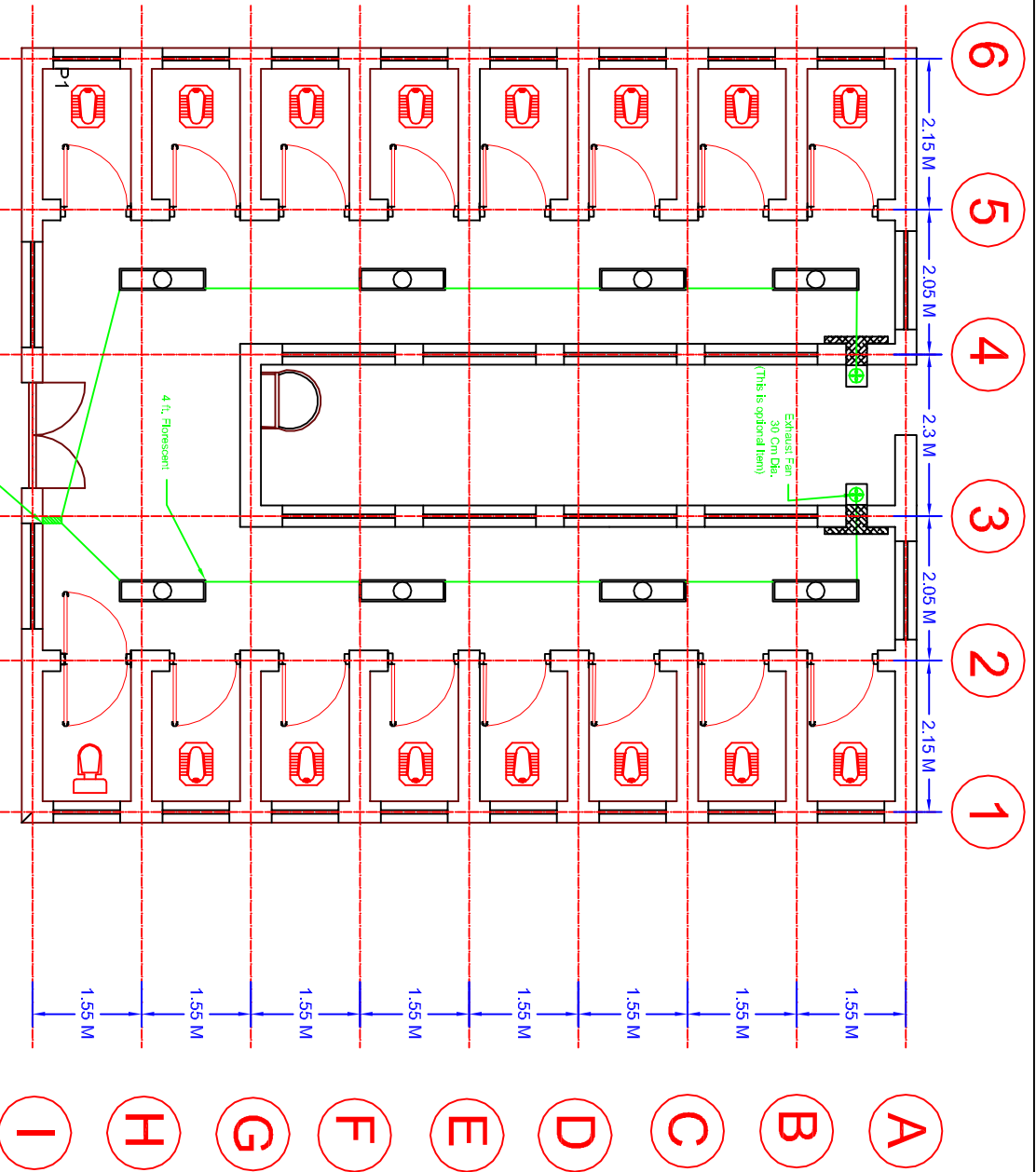


Australian Government  
AusAID

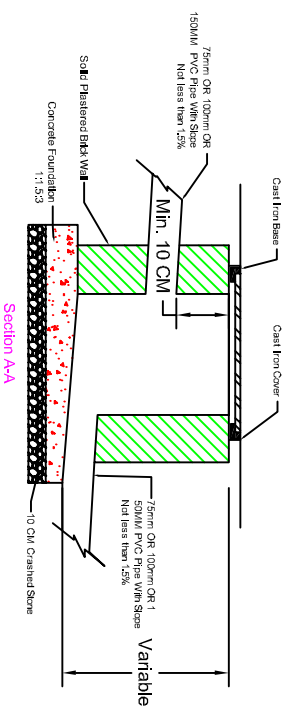
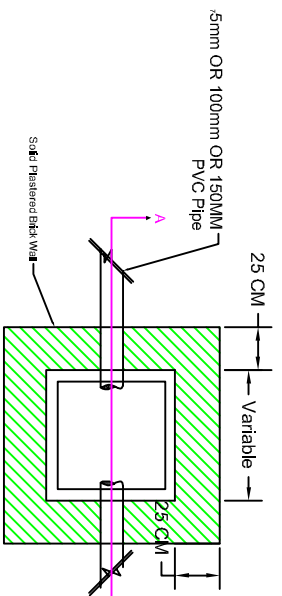
**Company National**  
Sewer Network

REVIEW AND DEVELOPMENT OF CHILD FRIENDLY WATER, SANITATION AND HYGIENE FACILITIES DESIGN PACKAGES FOR PRIMARY SCHOOLS IN RUA.  
WASH Design for Urban SINGLE Schools -Type A

Project	Sheet	Sheet NO.
1:100/A4 Sheet	10	
		Sewer Network

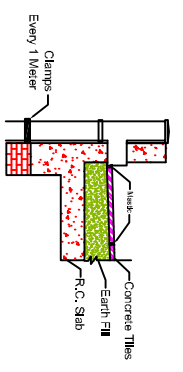


General Notes	
Project Name: <b>DEVELOPMENT OF CHILD FRIENDLY WATER, SANITATION AND HYGIENE FACILITIES DESIGN PACKAGES FOR PRIMARY SCHOOLS IN WA.</b> MASH Design for Urban SINGLE Schools - Type A	
Project No.	11
Sheet No.	11
Author	Electrical Plan
Scale	1:100/AA Sheel



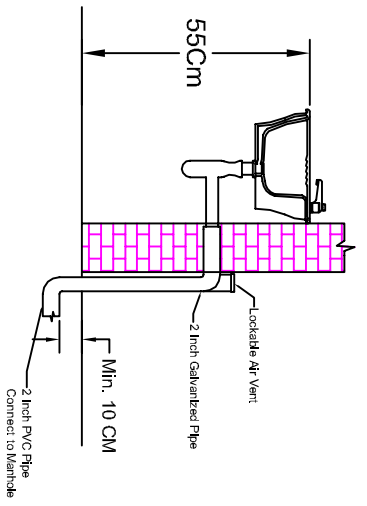
Typical Manhole Detail

NOT TO SCALE



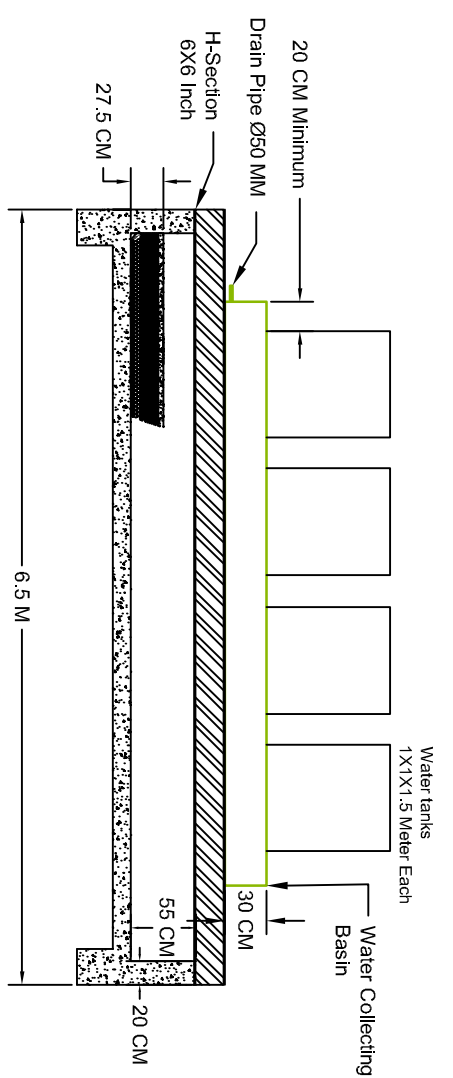
Typical Detail of Drain Water Downspout Pipe

NOT TO SCALE



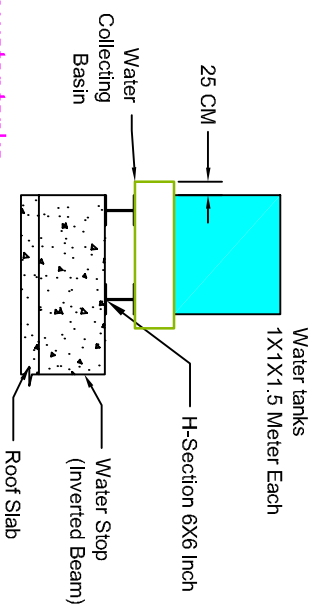
Typical Detail of Wash Basin

NOT TO SCALE



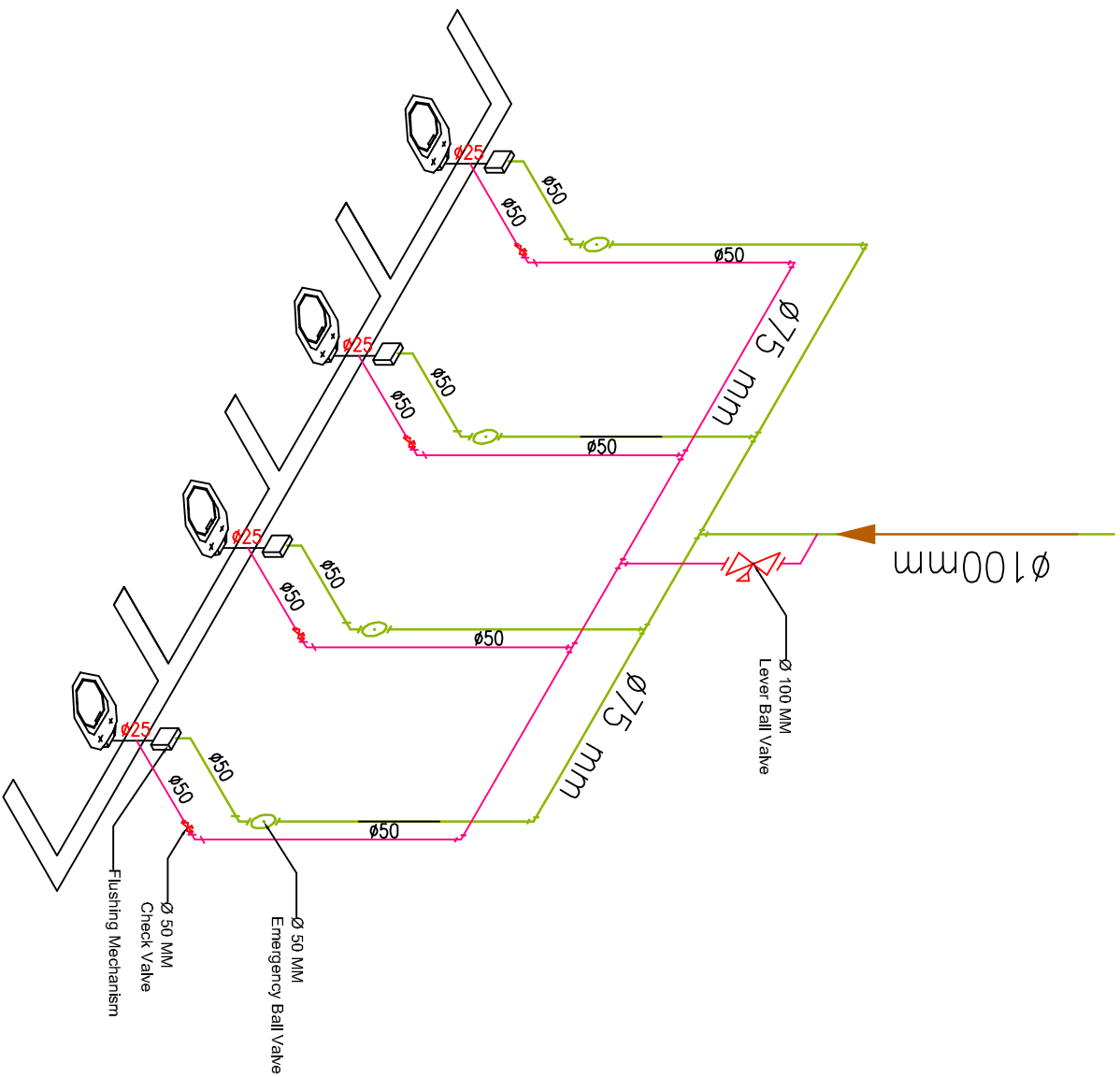
Typical Detail Upper water tanks

NOT TO SCALE



					
<p>unite for children</p>		<p>Australian Government AusAID</p>		<p>Company National</p>	
<p>Project No. _____</p>		<p>Sheet No. 12</p>		<p>Project Name: WASH Design for Urban SINGLE Schools - Type A</p>	
<p>Scale: 1:100 /A4 Sheet</p>		<p>Project No. _____</p>		<p>Project Name: WASH Design for Urban SINGLE Schools - Type A</p>	

# Main Supply From Upper Tanks



General Note



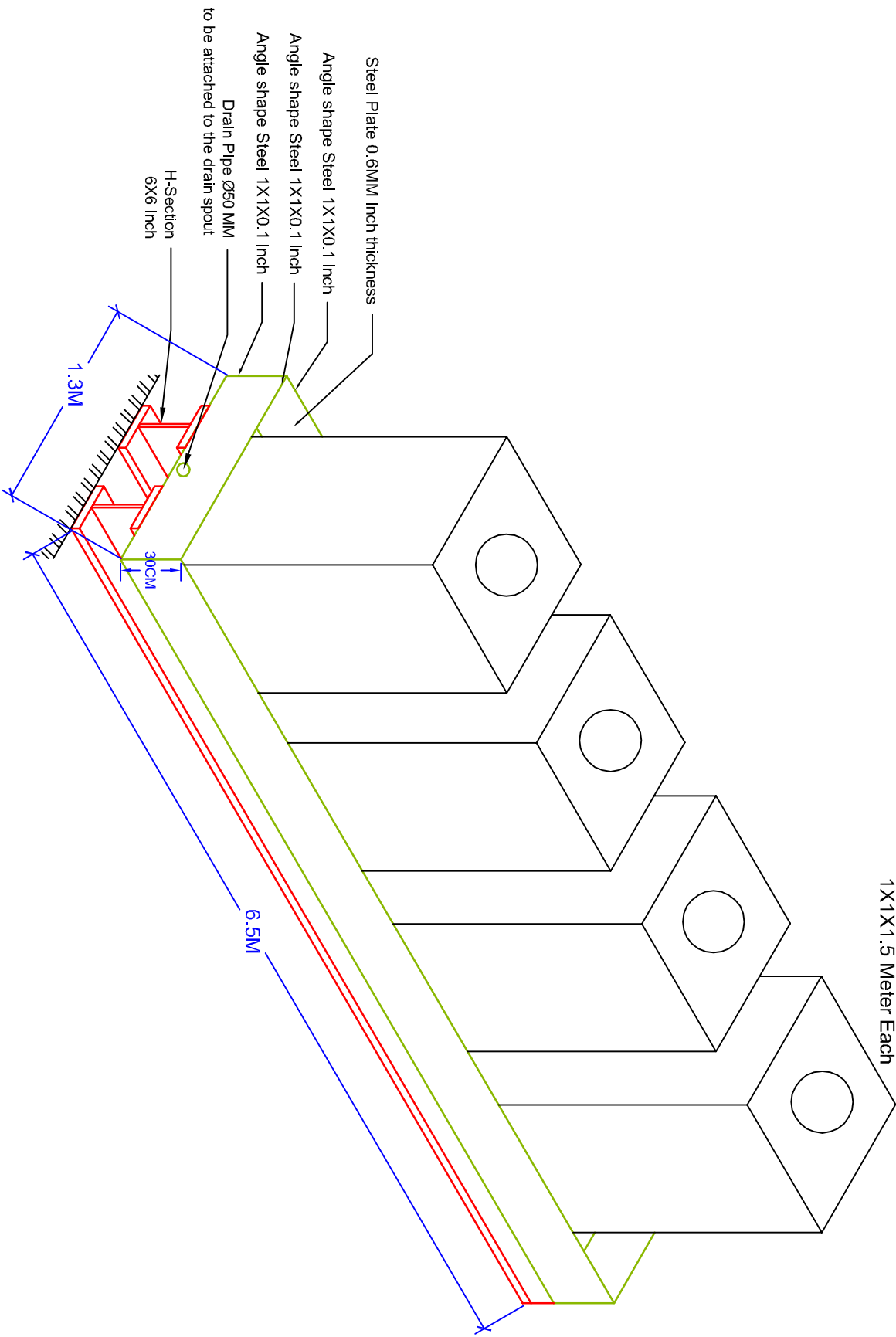
unite for children
   
 Australian Government
   
 Department of Education
   
 Queensland
   
 Australia
   
 AusAID

**Company National**
  
 For Engineering, Construction & Quality Control Ltd

Project Name and Address:
   
 REVIEW AND DEVELOPMENT OF
   
 CHILD FRIENDLY WATER, SANITATION
   
 AND HYGIENE FACILITIES DESIGN
   
 PACKAGES FOR PRIMARY SCHOOLS
   
 IN RURAL
   
 WASH Design for Urban Single
   
 Schools -Type A

Project	Sheet
Date	Sheet No.
1:100/A4 Sheet	13
Flushing Detail 2	

Water tanks  
1X1X1.5 Meter Each



General Notes



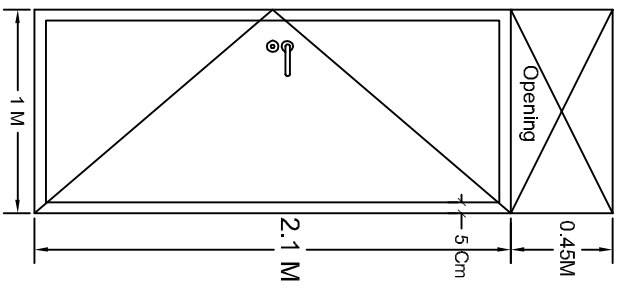
**Company National**

Specialized in the design and construction of water supply and sewerage systems, and the design and construction of industrial and municipal water treatment plants.

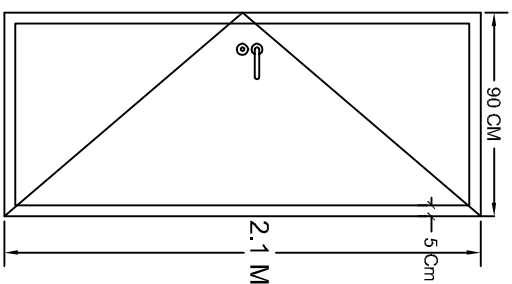
Specialized in the design and construction of child friendly water, sanitation and hygiene facilities design packages for primary schools in Iraq.

WASH Design for Urban Single Schools -Type A

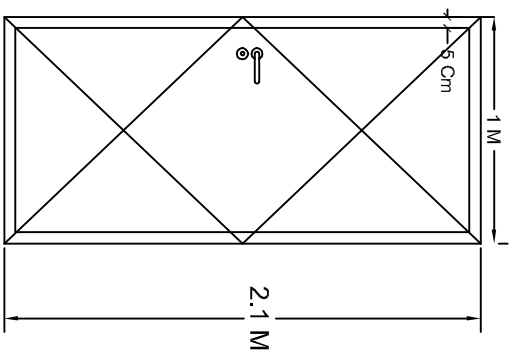
Project Name	Sheet No.
14	14
Not to Scale	Pumping Detail 4



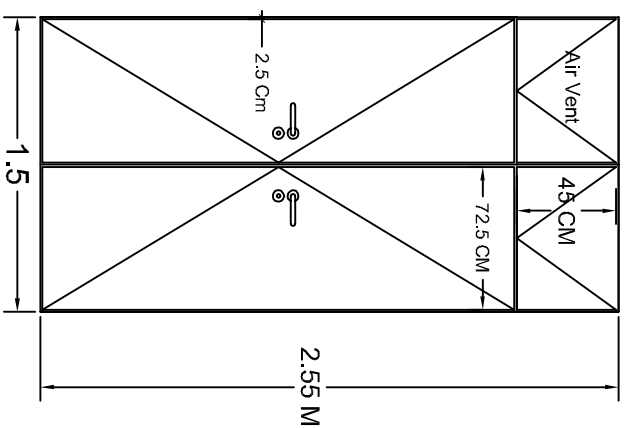
Back Door - Steel - Qty: 1



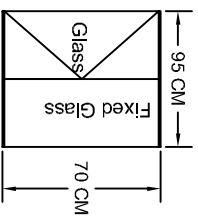
Bathroom Door - Aluminum - Qty: 15



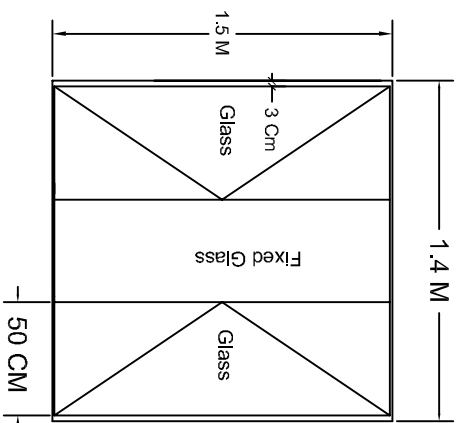
Bathroom Door - Aluminum - Qty: 1



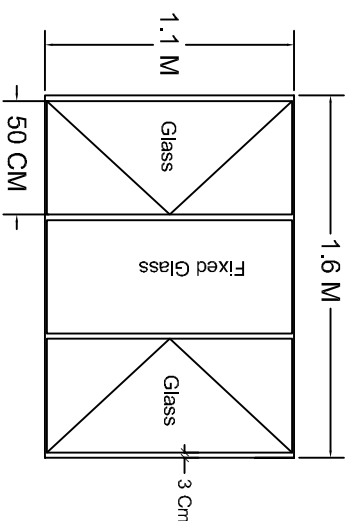
Entrance Door - Steel - Qty: 1



Bathroom Window - Steel - Qty: 16



Side Window - Steel - Qty: 2



Front & Middle Windows - Steel - Qty: 10

General Note



unicef  
unite for children  
Australian Government  
AusAID

Project Name and Address  
**Company National**  
for Reproductive, Contraceptive & Family Health (RCFH)  
and Adolescent Reproductive Health (ARH) Program

Project Name and Address  
REVIEW AND DEVELOPMENT OF  
CHILD FRIENDLY WATER, SANITATION  
AND HYGIENE FACILITIES DESIGN  
PACKAGES FOR PRIMARY SCHOOLS  
MIRVALD  
WASH Design for Urban Single  
Schools -Type A

Project	Sheet No. 16
Date	Windows, Doors Detail
Note	Not to Scale